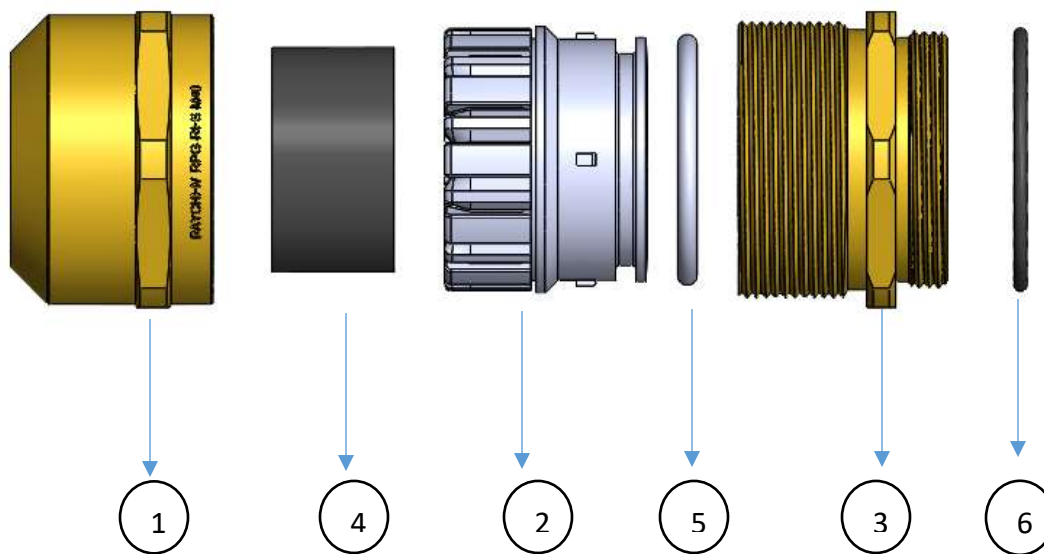


ASSEMBLY INSTRUCTIONS CABLE GLAND

Cable gland type Euro Series

The following Instructions must be followed for correct installation of cable glands.

Parts of Euro Series Cable gland.



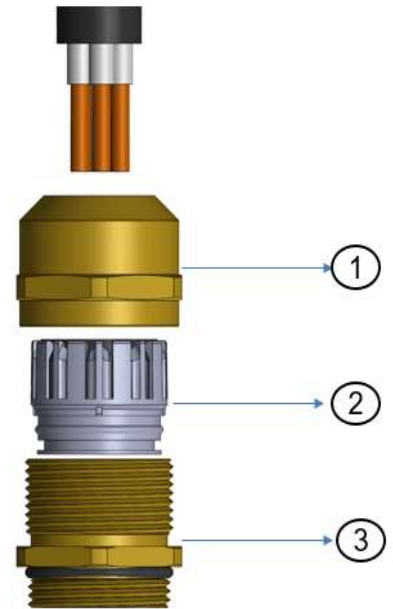
1	Entry Nut
2	Plastic insert
3	Main body
4	Rubber seal
5	O ring
6	O ring

Step 1

Choose type of cable gland according to the cable's overall outer diameter.

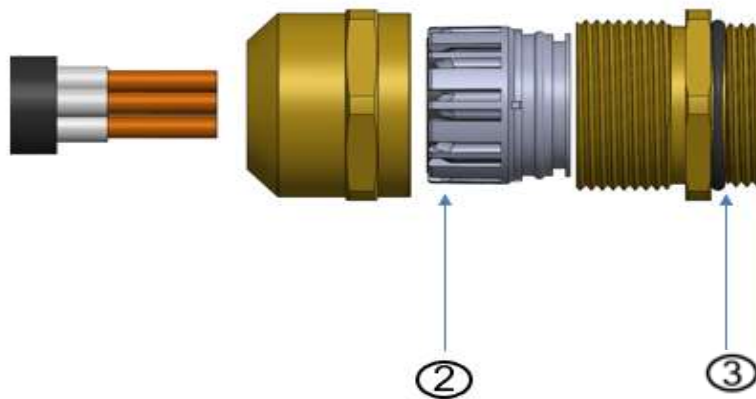
Step 2

- Hold the assembled gland straight and disassemble the parts 1, 2 & 3.



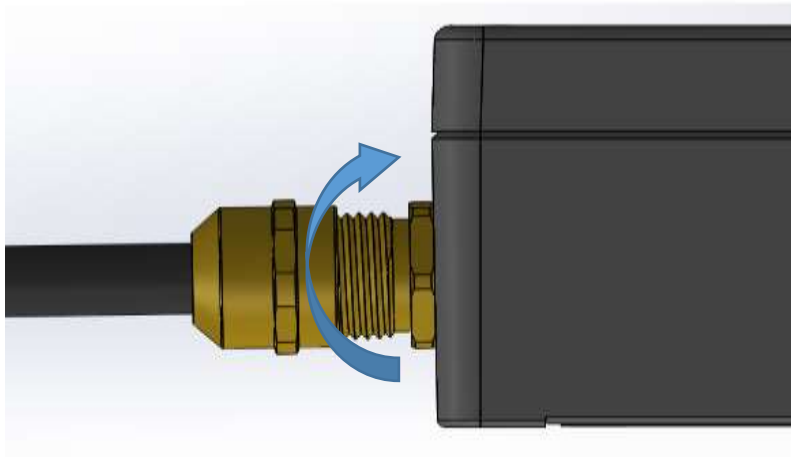
Step 3

- Insert the plastic assembly (2) in to the main body (3) and then tight the entry nut (1) as per given torque with the help of the spanner.



Step 4

- Tighten the entire cable gland assembly to the enclosure as per the application with given torque values.



Torque Values.

Part code	Installation torque
RESM-12	5 Nm
RESM-16	5 Nm
RESM-20	10 Nm
RESM-25	10 Nm
RESM-32	20 Nm
RESM-40	20 Nm
RESM-50	40 Nm
RESM-63	40 Nm
RESM-75	40 Nm