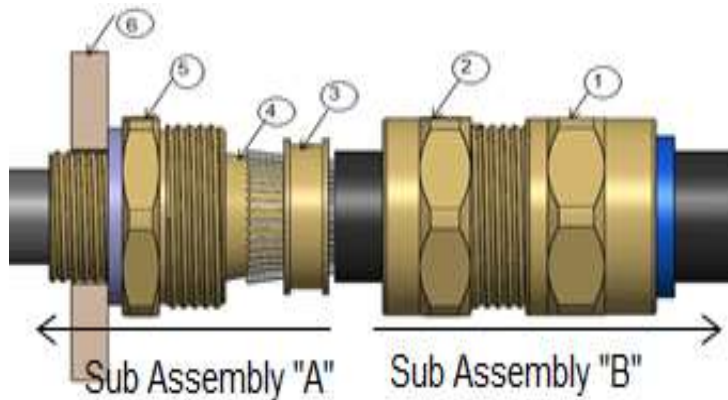


ASSEMBLY INSTRUCTIONS FOR CABLE GLAND

Cable gland type E1W

The following Instructions must be followed for correct installation of cable glands.

Parts of E1W Cable gland.

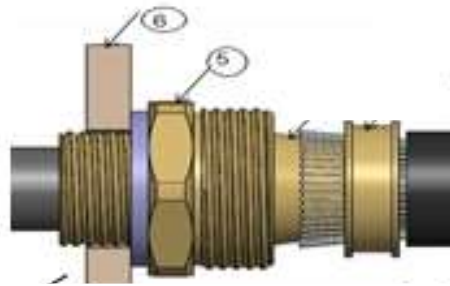


| | |
|---|-----------------|
| 1 | Entry Nut |
| 2 | Main body |
| 3 | Cone ring |
| 4 | Detachable cone |
| 5 | Cone body |
| 6 | Enclosure |

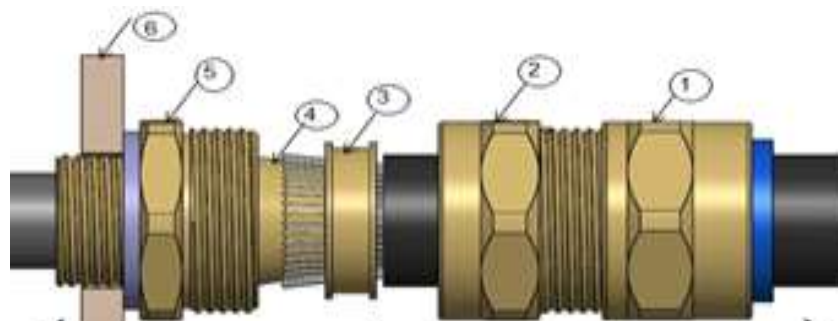
- Prepare the cable by stripping the outer sheath of cable so the armored are exposed as shown in fig.



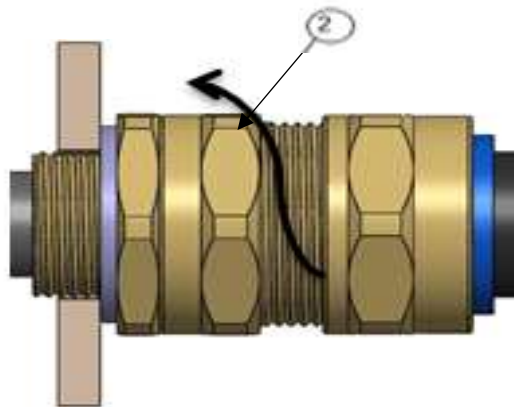
- Secure the Cone body (5) into the enclosure(6) as indicated



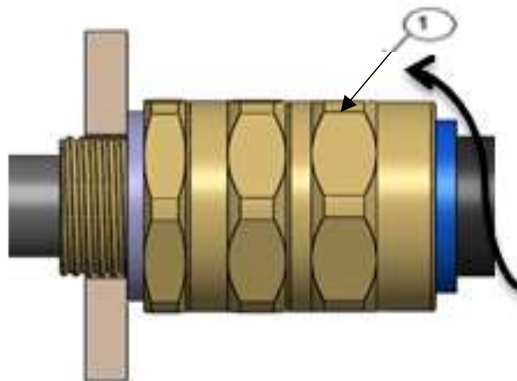
- Pass the cable through the entry nut (1) and evenly space the armour around the cone. Locate the sealing ring (3) onto the gland cone body (4).



- While continuing to push the cable forward to maintain contact between the armour and the cone ring (3), tighten the body (2) by hand until the sealing ring is felt to have engaged the armour. Hold the gland cone body (5) with a spanner and tighten the gland main body (2) using a spanner until all available threads are used.



- Tighten the entry nut (1) until it comes to an effective stop as per given torque.



Torque Values

| PART CODE | TORQUE NM |
|------------------|------------------|
| E1W 16L | 12 |
| E1W 20S | 12 |
| E1W 20L | 12 |
| E1W 25S | 15 |
| E1W 25L | 25 |
| E1W 32L | 25 |
| E1W 40S | 25 |
| E1W 40L | 25 |
| E1W 50S | 25 |
| E1W 50L | 25 |
| E1W 63S | 30 |
| E1W 63L | 32 |
| E1W 75S | 35 |
| E1W 75L | 35 |