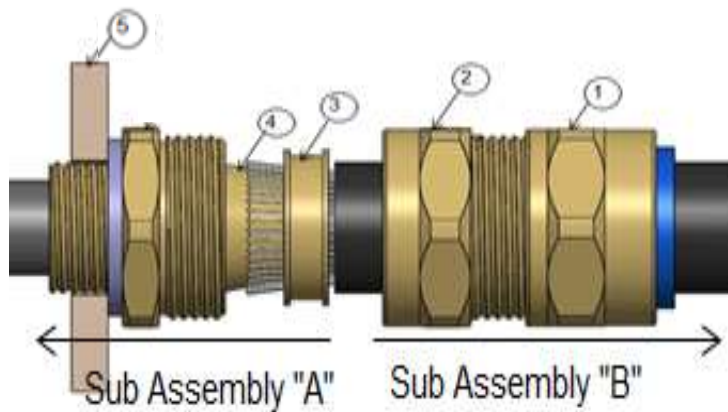


## ASSEMBLY INSTRUCTIONS FOR CABLE GLAND

### Cable gland type CW

*The following Instructions must be followed for correct installation of cable glands.*

Parts of CW Cable gland.

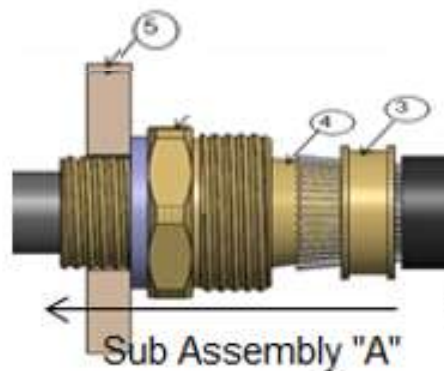


1	Entry Nut
2	Main body
3	Cone ring
4	Cone body
5	Enclosure

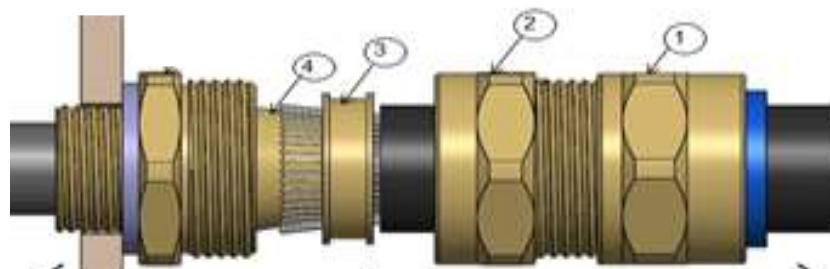
- Prepare the cable by stripping the outer sheath of cable so the armored are exposed as shown in fig.



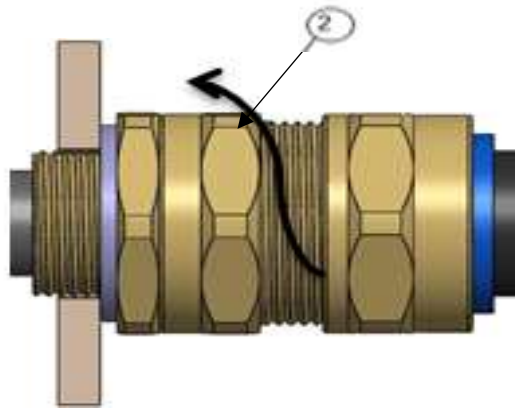
- Secure the Cone body (4) into the enclosure as indicated



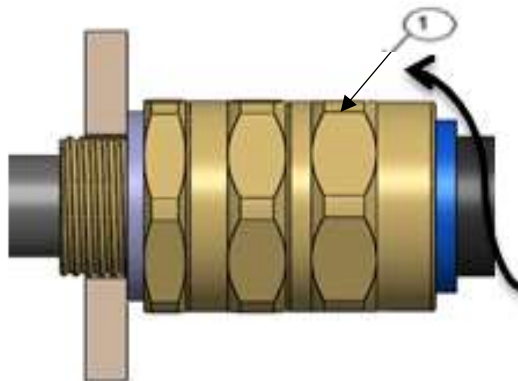
- Pass the cable through the entry nut (1) and evenly space the armour around the cone. Locate the sealing ring (3) onto the gland cone body (4).



- While continuing to push the cable forward to maintain contact between the armour and the cone ring (3), tighten the body (2) by hand until the sealing ring is felt to have engaged the armour. Hold the gland cone body (4) with a spanner and tighten the gland main body (2) using a spanner until all available threads are used.



- Tighten the entry nut (1) until it comes to an effective stop as per given torque.



## Torque Values

PART CODE	TORQUE (Nm)
CW 16S	10
CW 16L	12
CW 20S	12
CW 20L	12
CW 25S	15
CW 25L	25
CW 32L	25
CW 40S	25
CW 40L	25
CW 50S	30
CW 50L	25
CW 63S	30
CW 63L	32
CW 75S	30
CW 75L	35