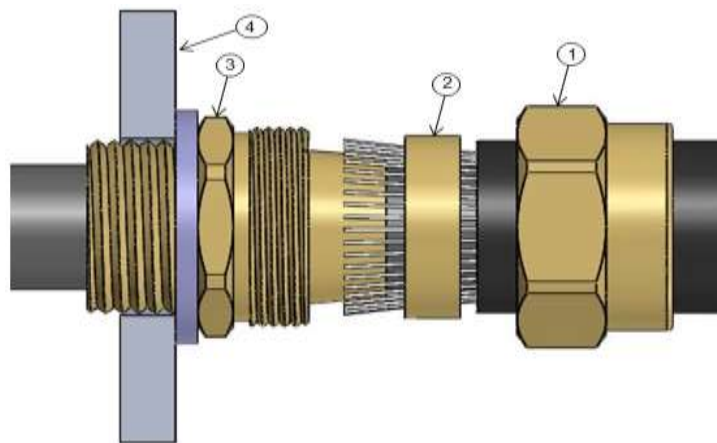


ASSEMBLY INSTRUCTIONS FOR CABLE GLAND

Cable gland type BW

The following Instructions must be followed for correct installation of cable glands.

Parts of BW Cable gland.

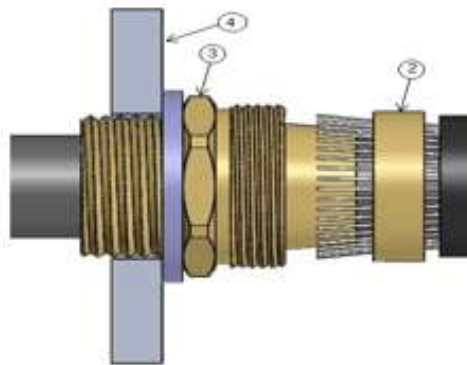


- | | |
|---|-----------------|
| 1 | Entry Nut |
| 2 | Cone ring |
| 3 | Gland main body |
| 4 | Enclosure |

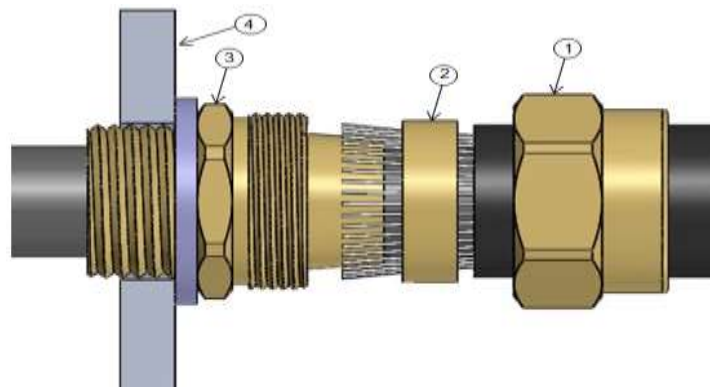
- Prepare the cable by stripping the outer sheath of cable so the armored are exposed as shown in fig.



- Secure the gland body (3) into the enclosure as indicated



- Pass the cable through the gland body and evenly space the armour around the cone.
- While continuing to push the cable forward to maintain contact between the armour and the cone, tighten the armour cone ring (2) by hand to engage the armour. Hold the gland main body (3) with a spanner and tighten the cone ring (2) and entry nut (1) using a spanner until the armour is secured with given torque.



PART CODE	TORQUE NM
BW 16L	12
BW 20S	12
BW 20L	12
BW 25S	12
BW 25L	15
BW 32L	15
BW 40L	25
BW 50S	25
BW 50L	25
BW 63S	25
BW 63L	30
BW 75S	30
BW 75L	30
BW 90L	30