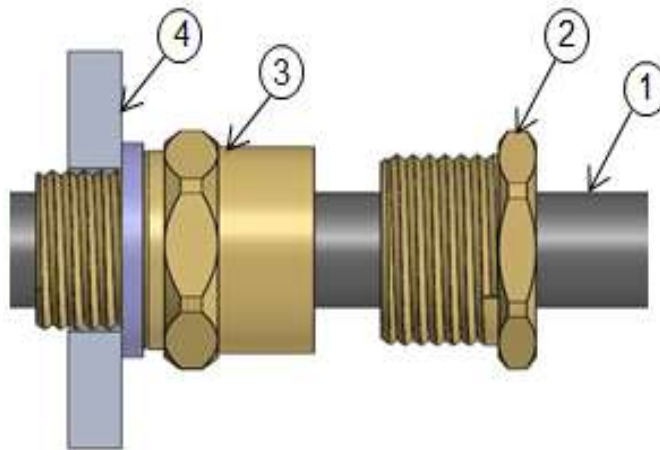


ASSEMBLY INSTRUCTIONS FOR CABLE GLAND

Cable gland type A1/A2

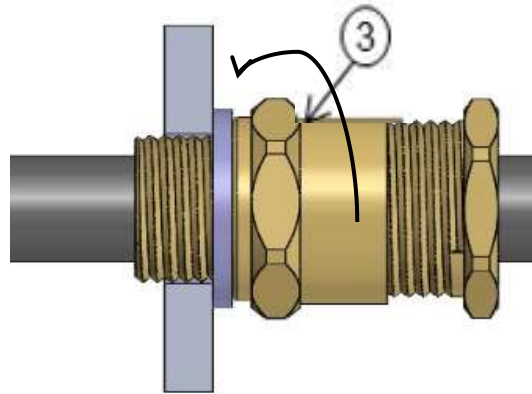
The following Instructions must be followed for correct installation of cable glands.

Parts of A1/A2 Cable gland.



- | | |
|---|-------------------------------|
| 1 | Unarmored Cable outer sheath |
| 2 | Gland outer body (entry nut), |
| 3 | Gland main body |
| 4 | Enclosure |

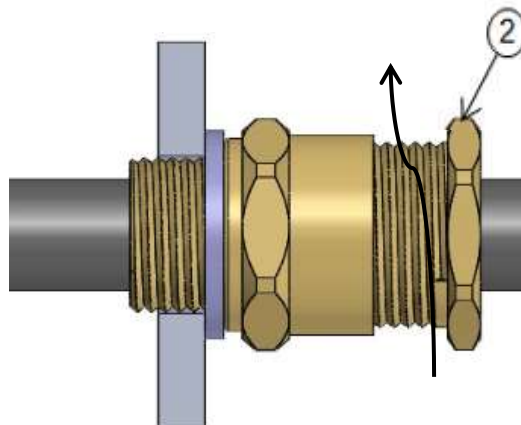
- Dismantle the gland as shown in fig.
- Fit the gland into the enclosure and fully tighten the gland main body ③ with spanner or any other tool.



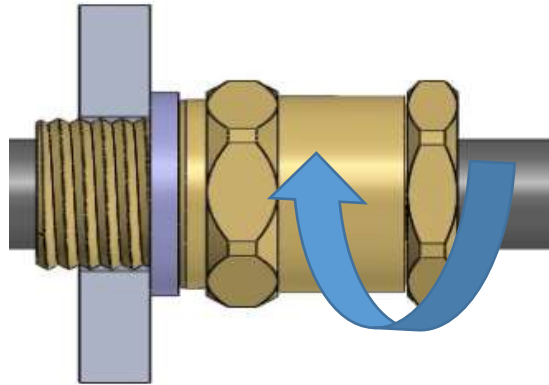
- Determine the conductor length required to suit the installation and prepare the cable accordingly, removing part of the outer sheath where required to reveal the insulated conductors



- Ensure that the seal (located within the entry item) is in a relaxed state by loosening the entry nut ②



- Pass the cable through the gland to the desired position, then tighten the entry nut by hand until resistance is felt (when the seal contacts the cable). Tighten with the help of spanner as per given torque for respective sizes.



- *Installation Torque Values*

PART CODE	TORQUE NM
A1/A2 16L	12
A1/A2 20S	12
A1/A2 20L	12
A1/A2 25S	15
A1/A2 25L	25
A1/A2 32L	25
A1/A2 40L	25
A1/A2 50S	25
A1/A2 50L	25
A1/A2 63S	30
A1/A2 63L	32
A1/A2 75S	30
A1/A2 75L	35
A1/A2 90L	30